

E6-10 Hinge

Position control · Constant torque

Features

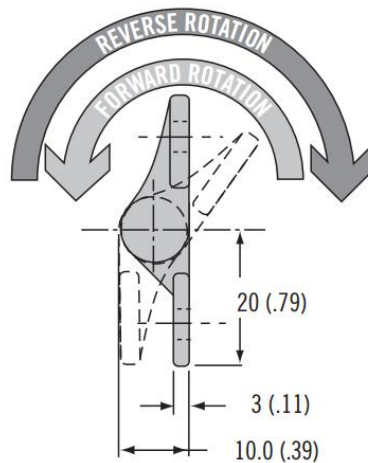
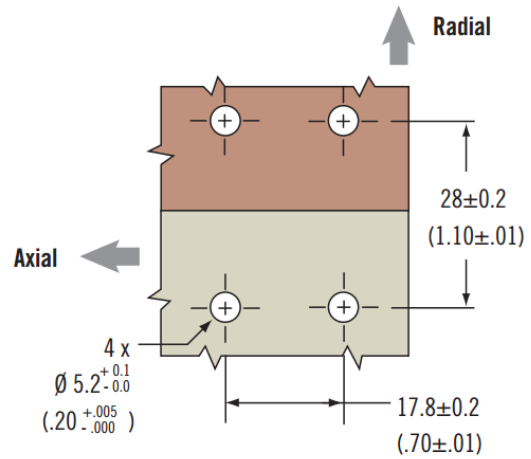
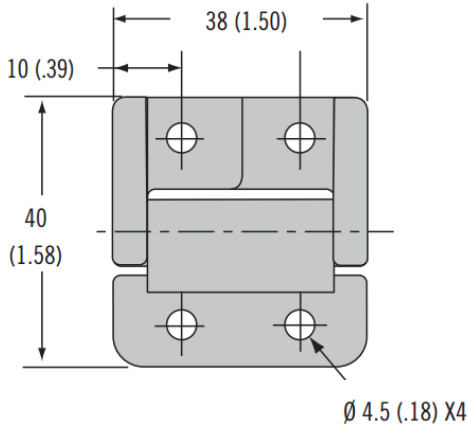
- Holds in every position
- No adjustment required
- Long cycle life

Material

- Aluminum alloy, black paint

Product Performance

- Cycle performance:
 - 20,000 cycles within $\pm 20\%$ of static torque specification
- Radial load:
 - Maximum static load: 155 N
 - Average ultimate load: 3,000 N
- Axial load:
 - Maximum static load: 155 N
 - Average ultimate load: 1,600 N



Symmetric

| Part Number | Symmetric Torque N·m (in·lbf) |
|--------------|-------------------------------|
| E6-10-200-50 | Free operating |
| E6-10-208-50 | 0.9 (8) |
| E6-10-212-50 | 1.4 (12) |
| E6-10-216-50 | 1.8 (16) |
| E6-10-220-50 | 2.3 (20) |

Asymmetric

| Part Number | Forward Torque N·m (in·lbf) | Reverse torque N·m (in·lbf) |
|---------------|-----------------------------|-----------------------------|
| E6-10-212F-50 | 1.4 (12) | 0.8 (7.2) |
| E6-10-216F-50 | 1.8 (16) | 1.1 (9.6) |
| E6-10-220F-50 | 2.3 (20) | 1.4 (12) |
| E6-10-224F-50 | 2.7 (24) | 1.6 (14.4) |
| E6-10-212R-50 | 0.8 (7.2) | 1.4 (12) |
| E6-10-216R-50 | 1.1 (9.6) | 1.8 (16) |
| E6-10-220R-50 | 1.4 (12) | 2.3 (20) |
| E6-10-224R-50 | 1.6 (14.4) | 2.7 (24) |